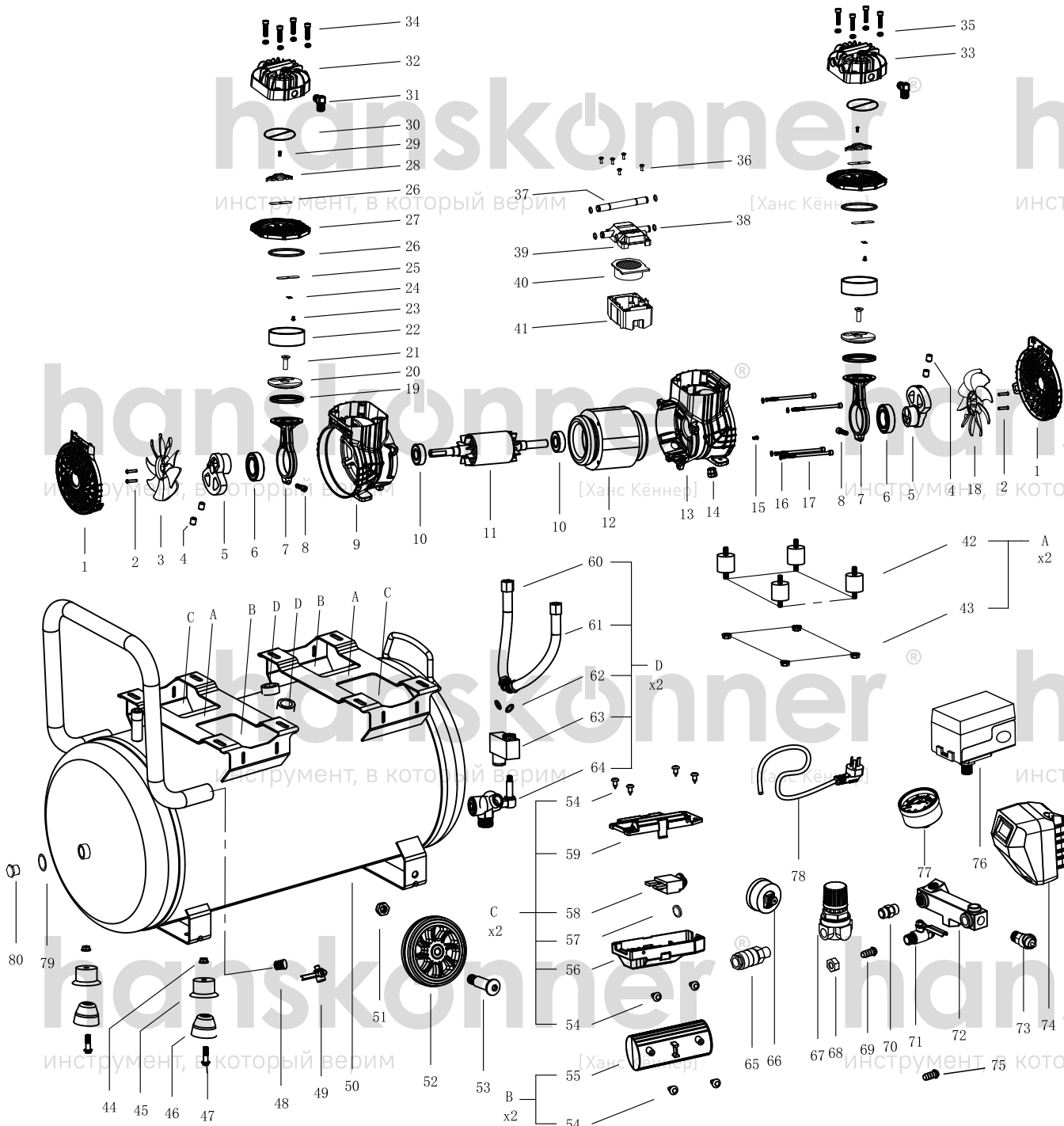


HAC502



No.	Description	No.	Description
1	Fan Cover	41	Silencer chamber
2	Screw	42	Shock pad
3	Right Fan	43	Nut
4	Screw	44	Nut
5	Crank	45	Foot Pad
6	Bearing 6006	46	Foot pad support cover
7	Connecting Rod	47	Bolt
8	Screw	48	Rod Plug
9	Left Crank Case	49	Drain Valve
10	Bearing 6203	50	Air tank
11	Rotor	51	Nut
12	Stator	52	Wheels
13	Right Crank Case	53	Axle
14	Strain Relief Bushing	54	Screw
15	Screw	55	Capacitor
16	Spring Washer	56	Capacitor Box Bottom Cover
17	Screw	57	Overload Protector Washer
18	Left Fan	58	Overload Protector
19	Piston Ring	59	Capacitor Box Top Cover
20	Pressure plate	60	High pressure Pipe
21	Screw	61	High pressure Pipe
22	Cylinder	62	High pressure Pipe O-ring
23	Screw	63	Solenoid Valve
24	Intake Valve Plate Pressing Block	64	Check valve
25	Air Valve	65	quick connector
26	Cylinder O Ring	66	Pressure Gauge
27	Valve Plate	67	Pressure Regulator
28	Limit block	68	Nut
29	Screw	69	Connector
30	Cylinder Cover O Ring	70	Connector
31	Elbow	71	Ball Valve
32	Left Cylinder Cover	72	switch bracket
33	Right Cylinder Cover	73	Safety Valve
34	Screw	74	Delay switch components
35	Spring Washer	75	Connector
36	Screw	76	Pressure Switch
37	Silencer aluminum tube	77	Pressure Gauge
38	Silencer aluminum tube O ring	78	Power cord & plug
39	Upper cover of Silencer	79	O Ring
40	Air filter element	80	Plug

HAC502-EX-25AL003K